

MODULAR BUILDING  
PLANNING

9659 N. SAM HOUSTON  
PKWY E.  
STE. 150, MB 132  
HUMBLE, TEXAS 77396  
PH. 713-459-0359

ALYSSUM  
BUILDING  
CONSULTANTS LLC

TEXAS ENGINEERING FIRM  
#13975

9827 SAGE ASPEN LANE  
HOUSTON, TEXAS 77089  
PHONE NO: (281)935-6020

PASADENA HEAD  
START

NEW MODULAR  
CLASSROOM

902 WAFER ST.  
PASADENA, TEXAS 77506

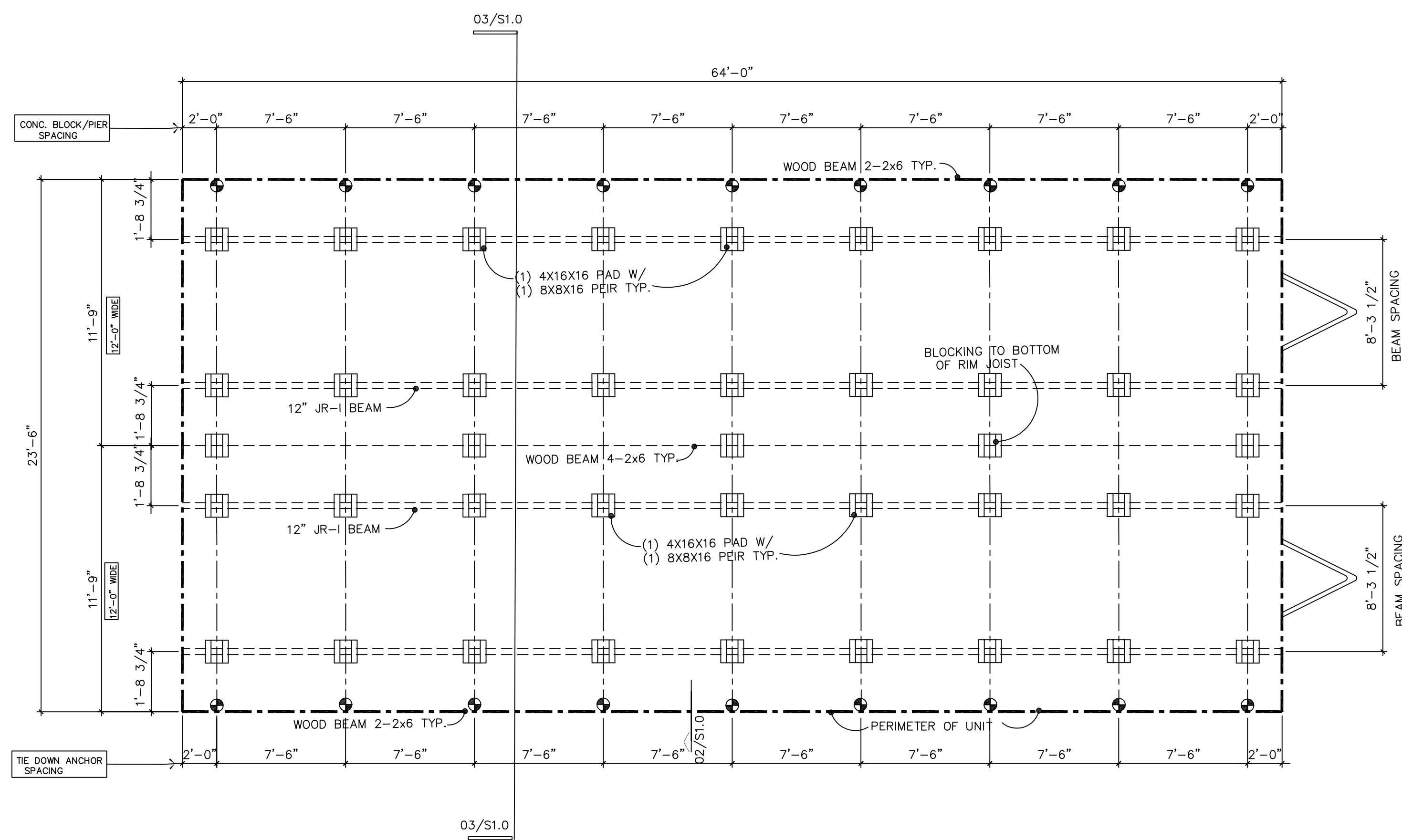
Drawing Date:  
Drawn:  
Scale:

Revisions:

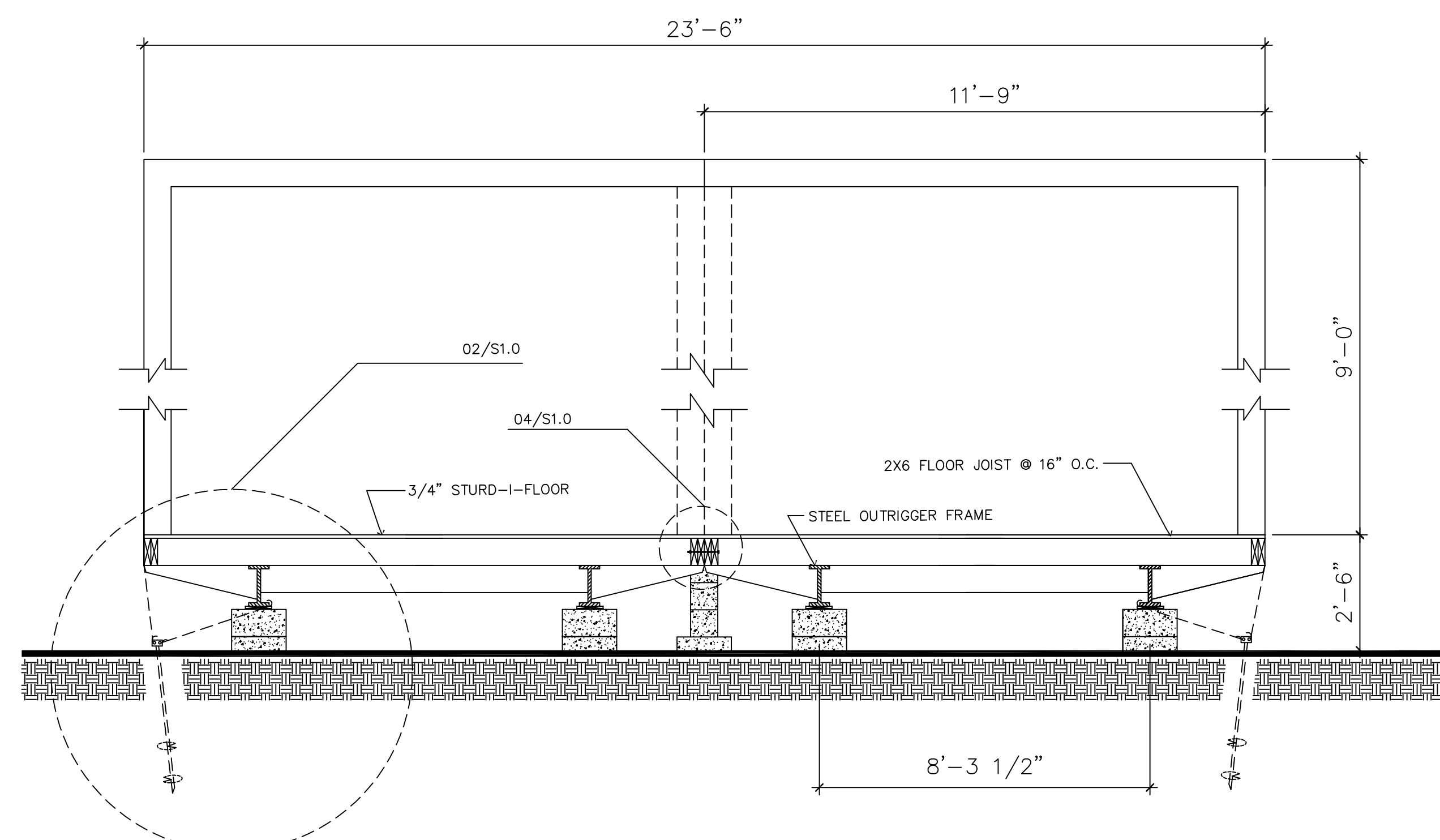
DESCRIPTION
PERMIT, PRICING, & CONSTRUCTION

SHEET NO.

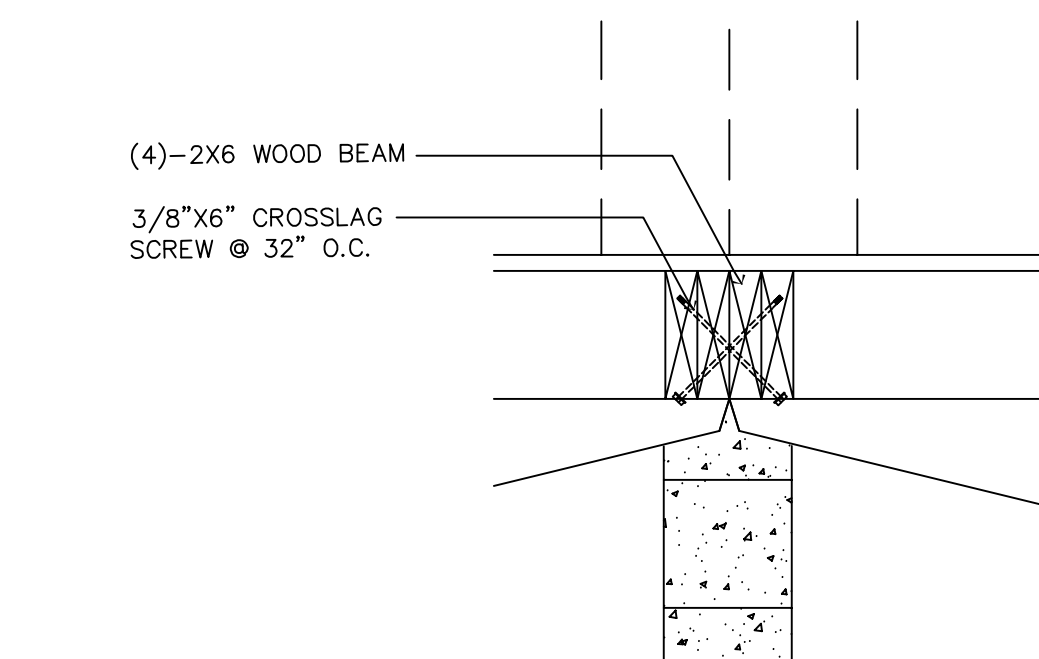
S10.0



**01** TWO UNIT TYPICAL PIER LAYOUT  
SCALE : 3/16" = 1' - 0"



**03** BUILDING CROSS SECTION  
SCALE : 3/8" = 1' - 0"



**04** TYPICAL BOLT DETAIL  
SCALE : 1" = 1' - 0"

**GENERAL NOTES:**

1. MAXIMUM ANCHOR SPACING: 7'-6" O.C. FOR 139 M.P.H. WIND LOADING 3 SECOND GUST, WITH A SUSTAINED WIND SPEED OF 95 MPH.
2. TYPICAL DEAD LOAD IS BETWEEN 25 THUR 30 POUNDS PER SQ. FT. OF FLOOR AREA.
3. MAXIMUM BUILDING HEIGHT 15'-0" TO TOP OF ROOF AND BUILDING CEILING HEIGHT SHALL BE 8'-6"
4. PIER LAYOUT SHOWING BLOCKING WITH TIE DOWN ARE IN COMPLIANCE WITH THE 2015 IBC.
5. GROUND AREA • DECK + BUILDING IS A EXIST. GROUND SURFACE.

THIS DECK IS DESIGN TO WITHSTAND A 139 WINDLOAD WITH A 3 SECOND GUST.

TIE-DOWN PLAN SHALL BE PER COMPLIANCE WITH THE 2015 IBC REQUIREMENTS.

**02** TYPICAL FOUNDATION/PIER/TIE-DOWN DETAIL  
SCALE : 1/2" = 1' - 0"  
EARTH AUGER

